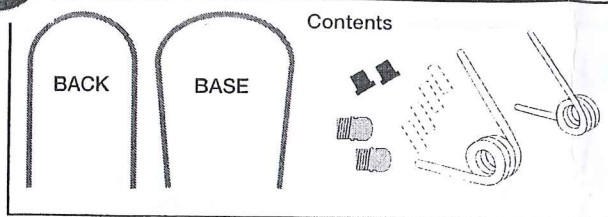




BOUNCER CHAIR ASSEMBLY INSTRUCTIONS

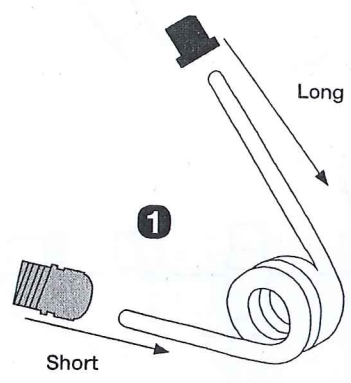
BC0713

BC0213



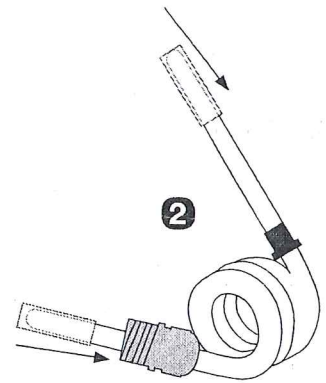
READ, KEEP AND FOLLOW THESE SAFETY INSTRUCTIONS

- Product to be assembled by an adult.
- Always use under adult supervision.
- Inspect for damage before use.
- Do not assemble or use if parts are missing or damaged.



1 Slide the CAP onto the long end of the SPRING.

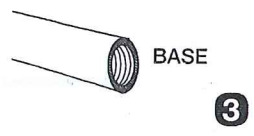
Slide the FITTING onto the short end of the SPRING



Making sure that the direction of each piece is also as shown.

2 Work the SILICONE onto both ends of the SPRING

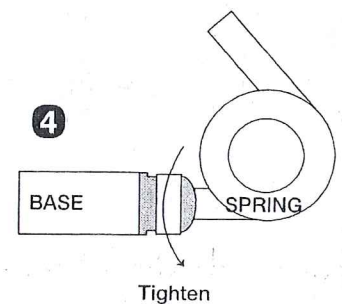
3 Twist the SILICONE into the BASE, and



Screw the FITTING tight into the thread.

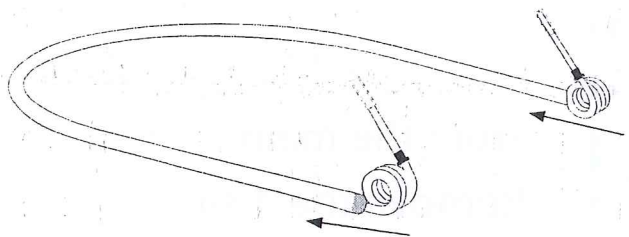
Place the BASE on the ground

Twist the springs so that the coil element is inside and the long ends are upwards.

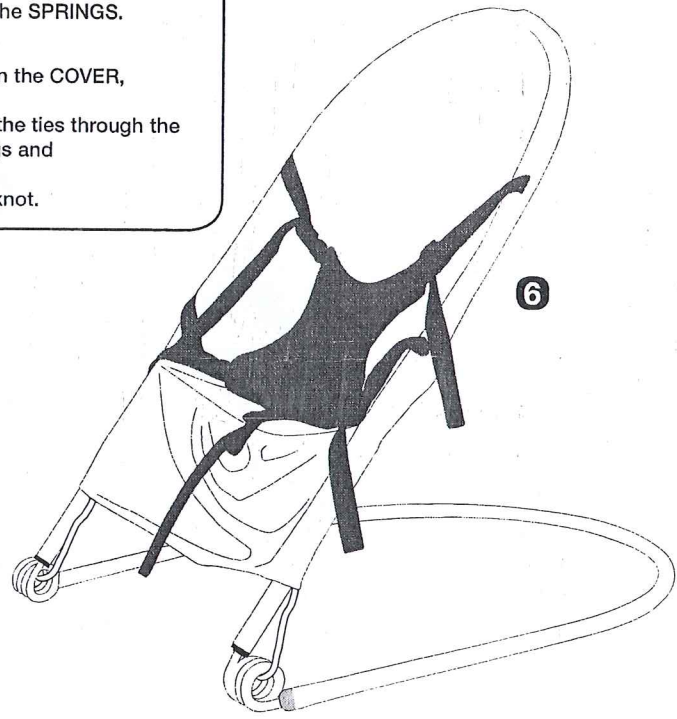
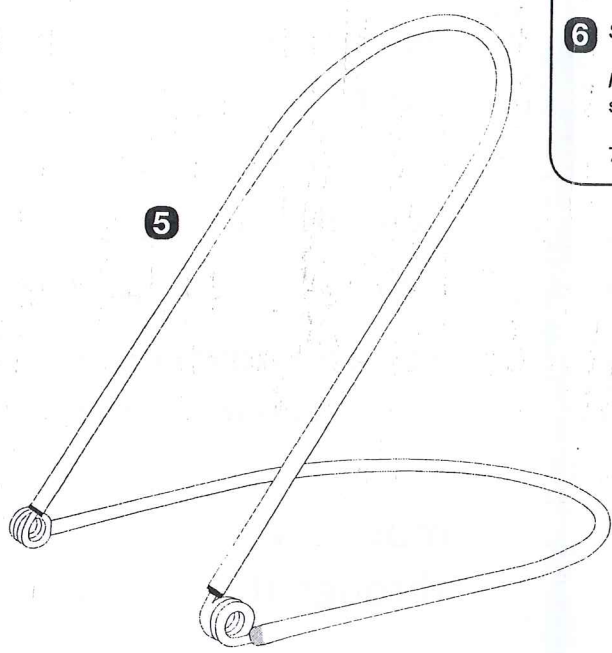


4 Tighten the FITTING so that the SPRING is held tightly

5 Slide the BACK all the way onto the SPRINGS.



6 Slip on the COVER, Feed the ties through the springs and Tie a knot.



TFH UK, 5-7 Severnside Business Park, Severn Road, Stourport-on-Severn, Worcestershire DY13 9HT
 T: 01299 827820 F: 01299 827035 E: tfh@tfhuk.com

www.specialneedstoys.com